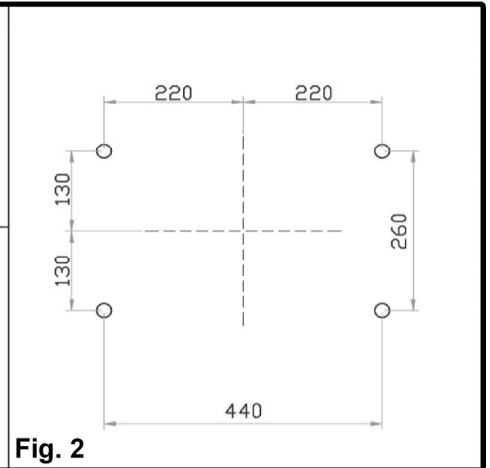
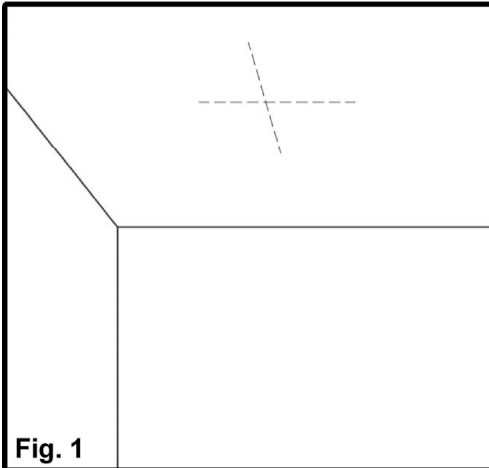
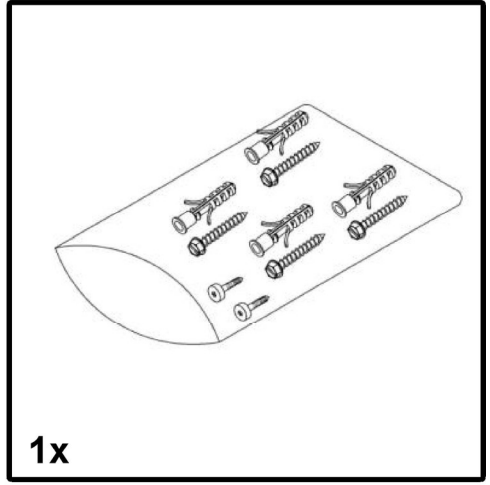
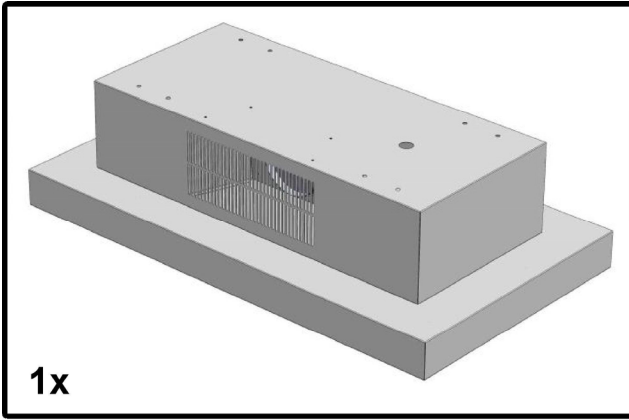
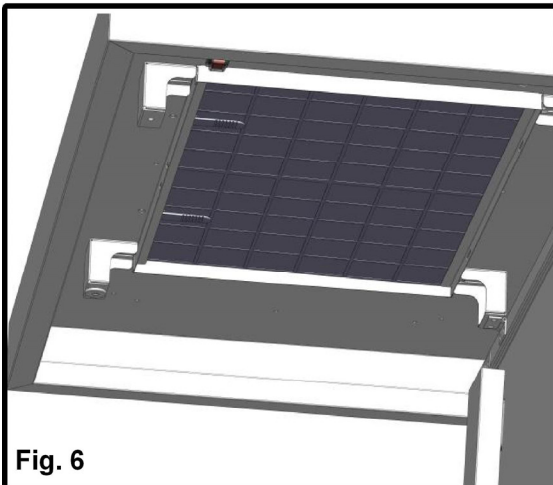
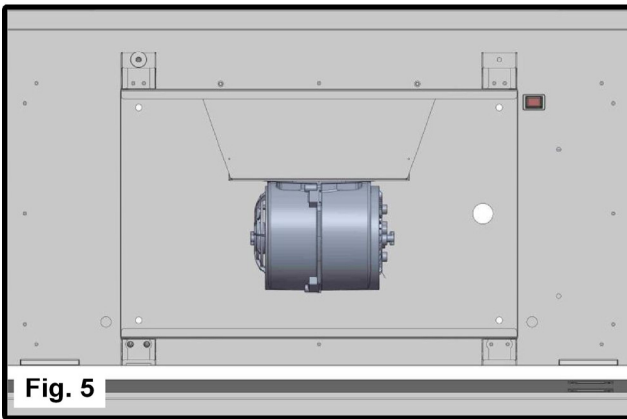
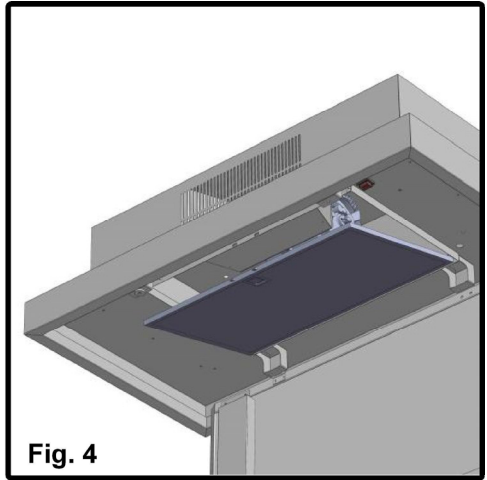
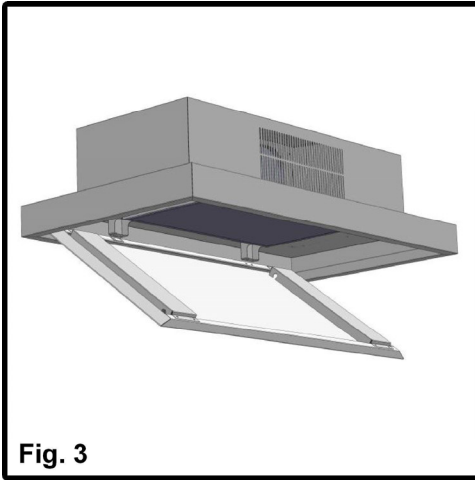




- IT Istruzioni di montaggio e d'uso**
- EN Instruction on mounting and use**
- DE Montage- und Gebrauchsanweisung**
- FR Prescriptions de montage et mode d'emploi**
- NL Montagevoorschriften en gebruiksaanwijzingen**
- ES Montaje y modo de empleo**
- PT Instruções para montagem e utilização**
- EL ΟΔΗΓΙΕΣ ΣΥΝΑΡΜΟΛΟΓΗΣΗΣ ΚΑΙ ΧΡΗΣΗΣ**
- SV Monterings- och bruksanvisningar**
- FI Asennus- ja käyttöohjeet**
- NO Instrukser for montering og bruk**
- DA Bruger- og monteringsvejledning**
- PL Instrukcja montażu i obsługi**
- CS Návod na montáž a používání**
- SK Návod k montáži a užití**
- HU Felszerelési és használati utasítás**
- BG Инструкции за монтаж и употреба**
- RO INSTRUCȚII DE MONTAJ SI FOLOSIRE**
- RU Инструкция по монтажу и эксплуатации**
- UK Інструкція з монтажу і експлуатації**
- ET Paigaldus- ja kasutusjuhend**
- LT montavimo ir naudojimosi instrukcija**
- LV ierīkošanas un izmantošanas instrukcija**
- SR Uputstva za montažu i upotrebu**
- SL Navodila za montažo in uporabo**
- HR Uputstva za montažu i za uporabu**
- TR Montaj ve kullanım talimatları**
- AR والاستعمال التركيب طرق**





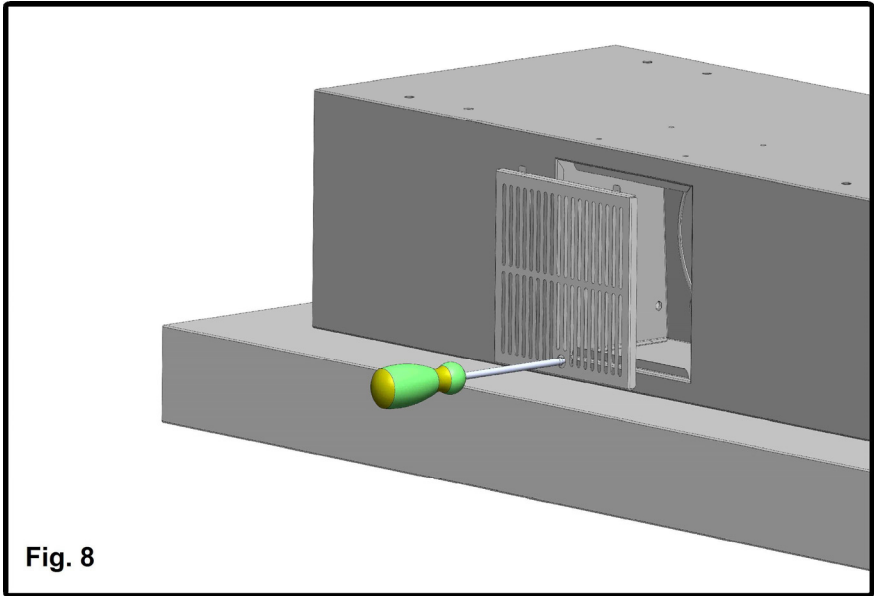


Fig. 8

Closely follow the instructions set out in this manual. All responsibility, for any eventual inconveniences, damages or fires caused by not complying with the instructions in this manual, is declined. The hood is conceived for the suction of cooking fumes and steam and is destined only for domestic use.

The hood can look different to that illustrated in the drawings in this booklet. The instructions for use, maintenance and installation, however, remain the same.

- ! It is important to conserve this booklet for consultation at any moment. In the case of sale, cession or move, make sure it is together with the product.
- ! Read the instructions carefully: there is important information about installation, use and safety.
- ! Do not carry out electrical or mechanical variations on the product or on the discharge conduits.
- ! Before proceeding with the installation of the appliance verify that there are no damaged all components. Otherwise contact your dealer and do not proceed with the installation.



Caution

WARNING! Do not connect the appliance to the mains until the installation is fully complete.

Before any cleaning or maintenance operation, disconnect hood from the mains by removing the plug or disconnecting the mains electrical supply.

Always wear work gloves for all installation and maintenance operations.

The appliance is not intended for use by children or persons with impaired physical, sensorial or mental faculties, or if lacking in experience or knowledge, unless they are under supervision or have been trained in the use of the appliance by a person responsible for their safety.

This appliance is designed to be operated by adults, children should be monitored to ensure that they do not play with the appliance.

This appliance is designed to be operated by adults. Children should not be allowed to tamper with the controls or play with the appliance.

Never use the hood without effectively mounted grating!

The hood must NEVER be used as a support surface unless specifically indicated.

The premises where the appliance is installed must be sufficiently ventilated, when the kitchen hood is used together with other gas combustion devices or other fuels.

The ducting system for this appliance must not be connected to any existing ventilation system which is being used for any other purpose such as discharging exhaust fumes from appliances burning gas or other fuels.

The flaming of foods beneath the hood itself is severely prohibited.

The use of exposed flames is detrimental to the filters and may cause a fire risk, and must therefore be avoided in all circumstances.

Any frying must be done with care in order to make sure that the oil does not overheat and ignite.

Accessible parts of the hood may become hot when used with cooking appliance.

With regards to the technical and safety measures to be adopted for fume discharging it is important to closely follow the regulations provided by the local authorities.

The hood must be regularly cleaned on both the inside and outside (AT LEAST ONCE A MONTH).


This must be completed in accordance with the maintenance instructions provided in this manual). Failure to follow the instructions provided in this user guide regarding the cleaning of the hood and filters will lead to the risk of fires.

Do not use or leave the hood without the lamp correctly mounted due to the possible risk of electric shocks.

We will not accept any responsibility for any faults, damage or fires caused to the appliance as a result of the non-observance of the instructions included in this manual.

This appliance is marked according to the European directive 2002/96/EC on Waste Electrical and Electronic Equipment (WEEE). By ensuring this product is disposed of correctly, you will help prevent potential negative consequences for the environment and human health, which could otherwise be caused by inappropriate waste handling of this product.



The symbol  on the product, or on the documents accompanying the product, indicates that this appliance may not be treated as household waste. Instead it should be taken to the appropriate collection point for the recycling of electrical and electronic equipment. Disposal must be carried out in accordance with local environmental regulations for waste disposal.

For further detailed information regarding the process, collection and recycling of this product, please contact the appropriate department of your local authorities or the local department for household waste or the shop where you purchased this product.

Additional Installation Specifications:

Use only the fixing screws supplied with the product for installation or, if not supplied, purchase the correct screws type.

Use the correct length for the screws which are identified in the Installation Guide.

In case of doubt, consult an authorised service assistance centre or similar qualified person.

WARNING! Failure to install the screws or fixing device in accordance with these instructions may result in electrical hazards.

Use

The hood is conceived for the suction of cooking fumes and steam and is destined only for domestic use.

The hood has been made for use in the internal recirculating filtering version.

Cooking fumes and steam are aspirated inside the hood, filtered and cleaned, passing through the fat filter/s and the carbon filter/s that MUST be supplied with the hood.

When installing the hood in extracting version, you must remove the air outlet grid, fixed as shown in Fig.8.

Installation

The minimum distance between the supporting surface for the cooking equipment on the hob and the lowest part of the range hood must be not less than 65cm from electric cookers and 65cm from gas or mixed cookers.

If the instructions for installation for the gas hob specify a greater distance, this must be adhered to.



Electrical connection

The mains power supply must correspond to the rating indicated on the plate situated inside the hood. If provided with a plug connect the hood to a socket in compliance with current regulations and positioned in an accessible area, after installation. If it not fitted with a plug (direct mains connection) or if the plug is not located in an accessible area, after installation, apply a double pole switch in accordance with standards which assures the complete disconnection of the mains under conditions relating to over-current category III, in accordance with installation instructions.

Warning! Before re-connecting the hood circuit to the mains supply and checking the efficient function, always check that the mains cable is correctly assembled.

Warning! Power cable replacement must be undertaken by the authorised service assistance centre or similar qualified person.

Mounting

This type of cooker hood must be fixed to the ceiling.

Very heavy product; hood handling and installation must be carried out by at least two persons.

Before beginning installation:

- Check that the product purchased is of a suitable size for the chosen installation area.
- Check (for transport reasons) that there is no other supplied material inside the hood (e.g. packets with screws (*), guarantees (*), etc.), eventually removing them and keeping them.
- If possible, disconnect and move freestanding or slide-in range from cabinet opening to provide easier access to rear wall/ceiling. Otherwise put a thick, protective covering over countertop, cooktop or range to protect from damage and debris. Select a flat surface for assembling the unit. Cover that surface with a protective covering and place all canopy hood parts and hardware in it.
- In addition check whether near the installation area of the hood (in the area accessible also with the hood mounted) an electric socket is available.
- Carry out all the masonry work necessary (e.g. installation of an electric socket).

Expansion wall plugs are provided to secure the hood to most types of walls/ceilings. However, a qualified technician must verify suitability of the materials in accordance with the type of wall/ceiling. The wall/ceiling must be strong enough to take the weight of the hood. **Do not tile, grout or silicone this appliance to the wall. Surface mounting only.**

Identify on the ceiling a reference point from the exact installation center of the hood (see fig. 1), and then trace the reference points for the holes to be made in accordance with the dimensions shown in Fig. 2.

Make the holes in the ceiling using a suitable twist drill bit with 8 mm diameter and insert the supplied plugs.

Approach the hood to the ceiling and make the electrical connection.

Open the stainless steel panel placed on the underside of the product, where the four lamps are located.

The opening of the panel is made by pulling on the side corresponding to the air outlet grill. (Fig. 3).

Support the panel with your hands while opening it.

After the opening of the panel you can access the grease filter and after removing it, by acting on the handle, you can reach the seat of the charcoal filter (Fig. 4)

Place the hood on the set position and secure it with the supplied screws, see Figure 5.

Place the charcoal filter in its seat as shown in Figure 6.

Restore the grease filter removed earlier and close the steel panel.

To close the panel, simply bring it back to the horizontal position until the automatic hooking of the closing takes place.

Operation

Use the high suction speed in cases of concentrated kitchen vapours. It is recommended that the cooker hood suction is switched on for 5 minutes prior to cooking and to leave in operation during cooking and for another 15 minutes approximately after terminating cooking.







Fig. 7

Radio remote control for the remote control of extractor hoods.

Technical Specifications

- Power supply - alkaline battery: 12V mod 23°
- Working frequency: 433.92 MHz
- Max consumption: 25 mA
- Operating temperature: -20°C +55°C

Operation

To turn on or off the hood, press once the button:	
To increase the speed up to the 4th (max), press button:	
To reduce the speed up to the 2 nd , press button:	
To return to 1st speed from a higher speed, press twice the button:	
To switch off the lights, press button::	
To set the timer, press button: At the first start, hold the light button for 5 seconds	
The far right LED will start flashing (every 5 sec.), the hood stays on for a period of 10min at the selected speed and then it turns off automatically. If you increase or reduce the speed while the timer is activated, the timer will be disabled.	

Mode of operation:

If there are two radio remote control systems in the same room or in immediate vicinity, having the same transmission code could influence them, therefore you need to change the code of one remote control.

ATT.: The battery must be replaced every year to ensure the optimal transmitter range:

To replace the battery remove the plastic cover, remove the battery in use and insert a new one respecting the polarity indicated on the container.

Used batteries should be disposed of in the appropriate containers.

The product is equipped with a device which automatically switches off after 4 hours of operation since the last performed operation.

Generating a new transmission code:

The remote control is supplied from the factory with default codes.

If you want to generate new codes you must perform the following steps:

Simultaneously press the UP (+), STOP (0/1) and DOWN (-) continuously for 2 seconds, at the same time you will have the LEDs light up; then press the UP (+) and DOWN (-), 3 flashes of the LEDs indicate that the operation has been completed.

ATT.: This action completely deletes the preexisting default codes.

Teaching the new transmission code:

After changing the transmission code in the radio remote control, you need to teach the electronic control unit of the hood the new code as follows: press the emergency button (visible after opening the stainless steel panel) for two consecutive times in order to remove and restore power supply to the product; from this moment there are 15 seconds



in which to press the light button " " so that the hood will synchronize with the new code.

Disposal of the batteries

Ultimate disposal of the batteries should be handled according to all national laws and regulations. Do not place used batteries in your regular waste.

Ultimate disposal of the batteries must be done safely.

Contact your local waste management officials for other information regarding the environmentally sound collection, recycling, and disposal of the batteries.

Operation anomalies

The hood does not work

Make sure that:

- There is no current blackout
- A speed has been effectively selected.
- The red reset button located above the filters inside the hood is pressed.

The hood has low efficiency

Make sure that:

- The motor speed selected is sufficient for the quantity of fumes present
- The charcoal filter is not worn out.

Maintenance

ATTENTION! Before performing any maintenance operation, isolate the hood from the electrical supply by switching off at the connector and removing the connector fuse.

Or if the appliance has been connected through a plug and socket, then the plug must be removed from the socket.

Cleaning

The cooker hood should be cleaned regularly (at least with the same frequency with which you carry out maintenance of the fat filters) internally and externally. Clean using the cloth dampened with neutral liquid detergent. Do not use abrasive products. **DO NOT USE ALCOHOL!**

WARNING: Failure to carry out the basic cleaning recommendations of the cooker hood and replacement of the filters may cause fire risks.

Therefore, we recommend observing these instructions.

The manufacturer declines all responsibility for any damage to the motor or any fire damage linked to inappropriate maintenance or failure to observe the above safety recommendations.

Grease filter

Traps cooking grease particles.

The grease filter must be cleaned once a month using non aggressive detergents, either by hand or in the dishwasher, which must be set to a low temperature and a short cycle. When washed in a dishwasher, the grease filter may discolour slightly, but this does not affect its filtering capacity.

Charcoal filter (filter version only)

It absorbs unpleasant odours caused by cooking.

The saturation of the **charcoal filter** occurs after more or less prolonged use, depending on the type of cooking and the regularity of cleaning of the grease filter.

In any case it is necessary to replace the cartridge at least every four months.

The charcoal filter may NOT be washed or regenerated.

Replacing lamps

Disconnect the appliance from the electricity.

Warning! Prior to touching the light bulbs ensure they are cooled down.

Replace the old light bulb with the one of the same type as specified in the feature label or near the light lamp on the hood.

To replace the lamps in the square shaped spotlights press the frame of the spotlight, opposite the symbol "PUSH", then change the bulb and close the spotlight by pressing again on the frame to hook it.

Replace with a new 12 Volt, 20 Watt (Maximum) halogen light made for a G-4 base SUITABLE FOR USE IN OPEN LUMINAIRES. Follow package directions and do not touch new light with bare hands.

If the lights do not work, make sure that the lamps are fitted properly into their housings before you call for technical assistance.